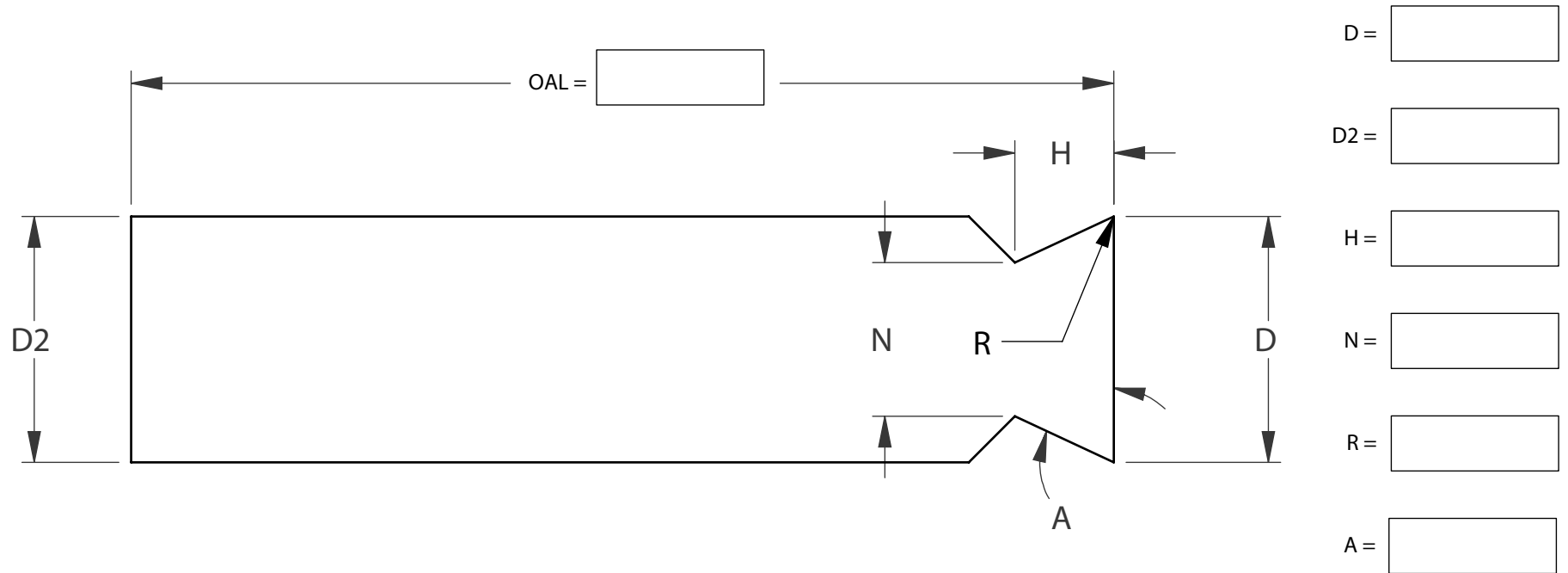


SQUARE END ALUMINIUM

Coating

Number of flutes =



Customer

Quantity = Tolerance