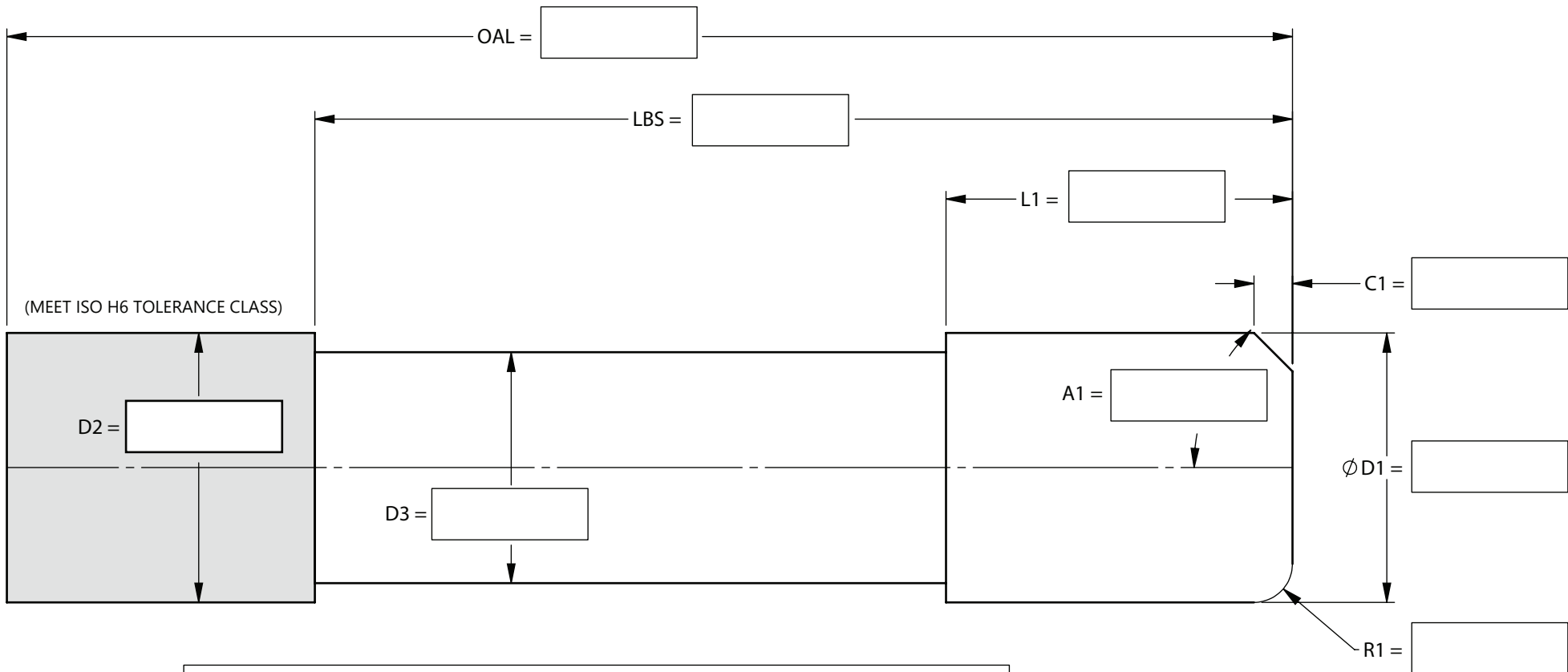


AFFUT-MILL Endmill

BALLNOSE CORNER RADIUS SQUARE END ALUMINIUM

Coating

Number of flutes =



Customer

Quantity = Tolerance