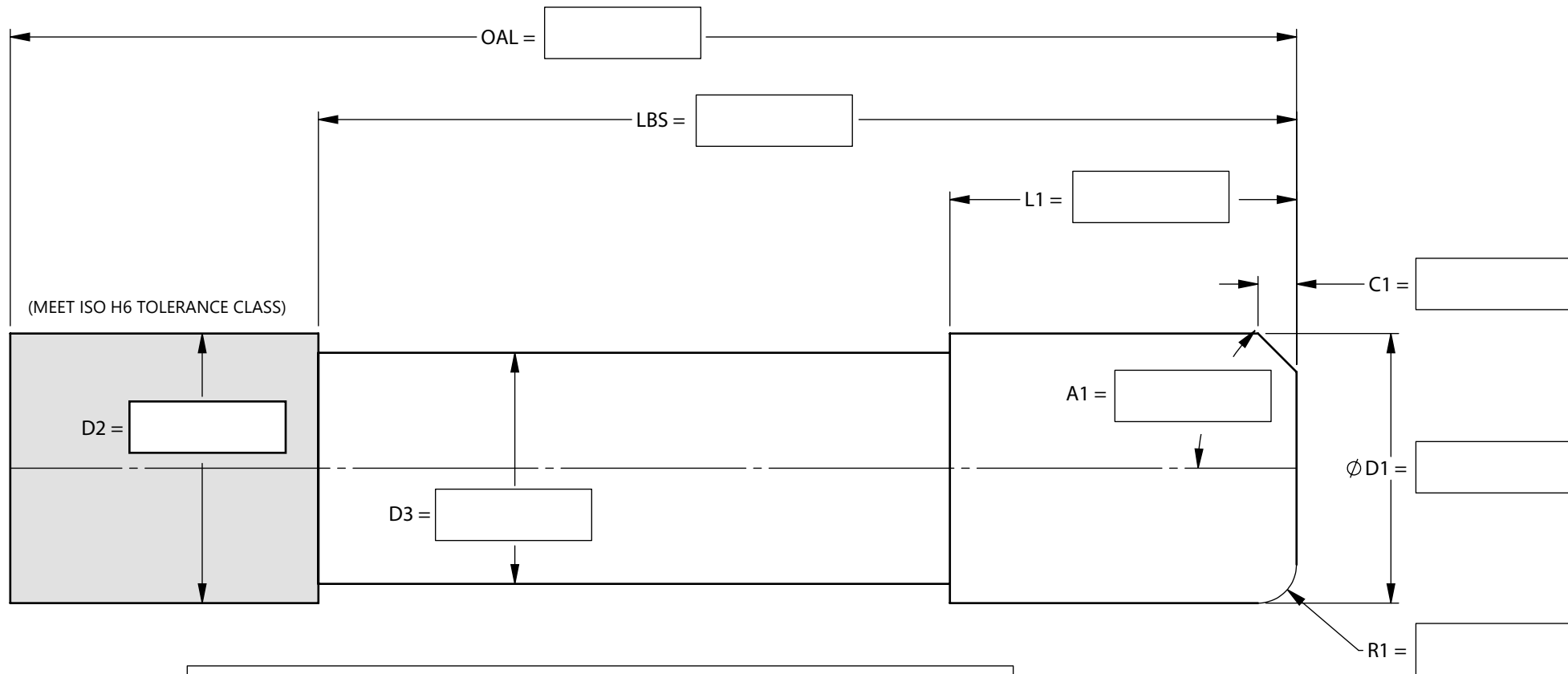


# AFFUT-MILL Angle point cutter

BALLNOSE  CORNER RADIUS  SQUARE END  ALUMINIUM

Coating

Number of flutes =



Customer

Quantity =  Tolerance